

## Compresores Sin Aceite

**FP202800, FP202900, FP202897,  
FP202999DB, and FP202999DQ**

### Garantía Limitada

- DURACION: A partir de la fecha de compra por el comprador original tal como se especifica a continuación: Productos Estándar (Standard Duty) - Un año, Productos Resistentes (Serious Duty) -Dos años, Productos Robustos (Extreme Duty) - Tres años.
  - QUIEN OTORGA ESTA GARANTIA (EL GARANTE: Campbell Hausfeld / The Scott Fetzer Company 100 Production Drive, Harrison, Ohio 45030 Teléfono: (800) 543-6400
  - QUIEN RECIBE ESTA GARANTIA (EL COMPRADOR): El comprador original (que no sea un revendedor) del producto Campbell Hausfeld.
  - PRODUCTOS CUBIERTOS POR ESTA GARANTIA: Cualquier compresor de aire Campbell Hausfeld.
  - COBERTURA DE LA GARANTIA: Los defectos substanciales de material y fabricación que ocurran dentro del periodo de validez de la garantía.
  - LO QUE NO ESTA CUBIERTO POR ESTA GARANTIA:
    - Las garantías implícitas, incluyendo aquellas de comercialidad E IDONEIDAD PARA FINES PARTICULARES, ESTAN LIMITADOS A LO ESPECIFICADO EN EL PARRAFO DE DURACION. Si el compresor de aire es empleado para uso comercial, industrial o para renta, la garantía será aplicable por noventa (90) días a partir de la fecha de compra. La garantía de los Compresores para Contratistas - Productos Robustos (Extreme Duty) no queda limitada a los noventa (90) días cuando se los usa en aplicaciones de contratistas. La garantía de los compresores de cuatro cilindros de una y dos etapas, no está limitada a noventa (90) días si éstos se utilizan para trabajos comerciales o industriales. En algunos estados no se permiten limitaciones a la duración de las garantías implícitas, por lo tanto, en tales casos esta limitación no es aplicable.
    - CUALQUIER PERDIDA DAÑO INCIDENTAL, INDIRECTO O CONSECUENTE QUE PUEDA RESULTAR DE UN DEFECTO, FALLA O MALFUNCIONAMIENTO DEL PRODUCTO CAMPBELL HAUSFELD. En algunos estados no se permite la exclusión o limitación de daños incidentales o consecuentes, por lo tanto, en tales casos esta limitación o exclusión no es aplicable
    - Cualquier falla que resulte de un accidente, abuso, negligencia o incumplimiento de las instrucciones de funcionamiento y uso indicadas en el (los) manual(es) que se adjunta(n) al compresor.
    - Los servicios requeridos antes de la entrega tales como: ensamblaje, aceite o lubricantes y ajustes.
    - Artículos o servicios normalmente requeridos para el mantenimiento del producto, tales como:lubricantes, filtros, empaques, etc.
    - Los motores de gasolina están específicamente excluidos de la cobertura de esta garantía limitada. El comprador debe seguir las cláusulas de la garantía otorgada por el fabricante del motor de gasolina que se suministra con el producto.
  - Artículos adicionales no cubiertos bajo esta garantía:
    - Todos los Compresores
      - Cualquier componente dañado durante el envío o cualquier daño ocasionado por haber instalado u operado la unidad bajo condiciones contrarias a lo indicado en las instrucciones para instalar u operar la unidad o daños ocasionados por el contacto con herramientas o los alrededores.
      - Daños del cabezal o las válvulas ocasionados por la lluvia, humedad excesiva, agentes corrosivos u otros contaminantes.
      - Daños de apariencia que no afecten el funcionamiento del compresor.
      - Tanques oxidados, incluyendo pero no limitado al óxido debido al drenaje inadecuado u agentes corrosivos en el ambiente.
      - Motores eléctricos, válvulas de chequeo y presostatos después del primer año a partir de la fecha de compra.
      - Llaves de drenaje
      - Daños debidos al alambrado incorrecto o conexión a circuitos con voltaje inadecuados para la unidad.
      - Otros artículos no enumerados pero considerados de desgaste general.
      - Presostatos, controles de flujo de aire y válvulas de seguridad cuyos parametros fijados de fábrica se modifiquen.
    - Compresores lubricados
      - Daños del cabezal o las válvulas debidos al uso de aceites no especificados.
      - Daños del cabezal o las válvulas debidos a cualquier contaminación del aceite o por no haber seguido las instrucciones de lubricación.
    - Compresores con bandas/ de accionamiento directo/ motores de gasolina
      - Bandas
      - Daños de los anillos debido al mantenimiento inadecuado del filtro.
      - Ajustes manuales de los instrumentos de carga/descarga y válvula de estrangulación.
  - RESPONSABILIDADES DEL GARANTE BAJO ESTA GARANTIA: Reemplazar, como lo decida el Garante, el compresor o componentes que estén defectuosos, se hayan dañado o hayan dejado de funcionar adecuadamente, durante el periodo de validez de la garantía
  - RESPONSABILIDADES DEL COMPRADOR BAJO ESTA GARANTIA:
    - Suministrar prueba fechada de compra y la historia de mantenimiento del producto.
    - Tener cuidado al utilizar el producto, tal como se indica(n) en el (los) manual(es) del propietario.
  - EN QUÉ CASOS EL GARANTE PROPORCIONARÁ REEMPLAZO DE ACUERDO A ESTA GARANTIA: El reemplazo será planificado de acuerdo a la disponibilidad de compresores de repuesto o piezas.
- Esta garantía limitada es válida sólo en los EE.UU., Canadá y México y otorga derechos legales específicos. Usted también puede tener otros derechos que varían de un Estado a otro. o de un país a otro.

See Warranty on page 8 for important information about commercial use of this product.

Operating Instructions and Parts Manual

**FP202800, FP202900, FP202897,  
FP202999DB, and FP202999DQ**

Please read and save these instructions. Read carefully before attempting to assemble, install, operate or maintain the product described. Protect yourself and others by observing all safety information. Failure to comply with instructions could result in personal injury and/or property damage! Retain instructions for future reference.

# Oilless Compressors

## Description

Oilless compressors are designed for do-it-yourselfers with a variety of home and automotive jobs. These units operate without oil. Compressed air from this unit will contain moisture. Install a water filter or air dryer if application requires dry air.

## Safety Guidelines

This manual contains information that is very important to know and understand. This information is provided for SAFETY and to PREVENT EQUIPMENT PROBLEMS. To help recognize this information, observe the following symbols.

**⚠ DANGER** Danger indicates an imminently hazardous situation which, if not avoided, WILL result in death or serious injury.

**⚠ WARNING** Warning indicates a potentially hazardous situation which, if not avoided, COULD result in death or serious injury.

**⚠ CAUTION** Caution indicates a potentially hazardous situation which, if not avoided, MAY result in minor or moderate injury.

**⚠ NOTICE** Notice indicates important information, that if not followed, MAY cause damage to equipment.

## Unpacking

After unpacking the unit, inspect carefully for any damage that may have occurred during transit. Make sure to tighten fittings, bolts, etc., before putting unit into service. In case of questions, damaged or missing parts, please call 1-800-543-6400 for customer



**DO NOT RETURN THE PRODUCT TO THE RETAILER! CALL 1-800-543-6400**



Record the Model No., Serial No. and date of purchase located on the base below the pump in the space below.

Model No. \_\_\_\_\_

Date Code \_\_\_\_\_

Date of purchase \_\_\_\_\_

Retain these numbers for future reference.

assistance.

Have the date code, model number, and parts list (with missing parts circled before calling.)

**⚠ WARNING** Do not operate unit if damaged during shipping, handling or use. Damage may result in bursting and cause injury or property damage.

## General Safety Information

Since the air compressor and other components used (filters, lubricators, hoses, etc.), make up a high pressure pumping system, the following safety precautions must be observed at all times:

## ⚠ DANGER

### Breathable Air Warning

This compressor/pump is not equipped and should not be used "as is" to supply breathing quality air. For any application of air for human consumption, the air compressor/pump will need to be fitted with suitable in-line safety and alarm equipment. This additional equipment is necessary to properly filter and purify the air to meet minimal specifications for Grade D breathing as described in Compressed Gas Association Commodity Specification G 7.1 - 1966, OSHA 29 CFR 1910. 134, and/or Canadian Standards Associations (CSA).

**DISCLAIMER OF WARRANTIES**  
In the event the compressor is used for the purpose of breathing air application and proper in-line safety and alarm equipment is not simultaneously used, existing warranties shall be voided, and Campbell Hausfeld disclaims any liability whatsoever for any loss, personal injury or damage.

1. Read all manuals included with this product carefully. Be thoroughly familiar with the controls and the proper use of the equipment.



2. Follow all local electrical and safety codes as well as in the US, National Electrical Code (NEC) and Occupational Safety and Health Act (OSHA).

**REMINDER: Keep your dated proof of purchase for warranty purposes! Attach it to this manual or file it for safekeeping.**


© 2005 Campbell Hausfeld/Scott Fetzer

For parts, product & service information visit [www.chpower.com](http://www.chpower.com)


IN614203AV 12/05

## Oilless Compressors


### General Safety Information (Continued)

- Only persons well acquainted with these rules of safe operation should be allowed to use the compressor.
- Keep visitors away and NEVER allow children in the work area.
- Wear safety glasses and use hearing protection when operating the pump or unit. 
- Do not stand on or use the pump or unit as a handhold.
- Before each use, inspect compressed air system and electrical components for signs of damage, deterioration, weakness or leakage. Repair or replace defective items before using.
- Check all fasteners at frequent intervals for proper tightness.

#### ⚠ WARNING

Motors, electrical equipment and controls can cause electrical arcs that will ignite a flammable gas or vapor. Never operate or repair in or near a flammable gas or vapor. Never store flammable liquids or gases in the vicinity of the compressor. 

#### ⚠ CAUTION


Compressor parts may be hot even if the unit is stopped. 

- Keep fingers away from a running compressor; fast moving and hot parts will cause injury and/or burns.
- If the equipment should start to abnormally vibrate, STOP the engine/motor and check immediately for the cause. Vibration is generally a warning of trouble.
- To reduce fire hazard, keep engine/motor exterior free of oil, solvent, or excessive grease.

#### ⚠ WARNING

Never remove or attempt to adjust safety valve. Keep safety valve free from paint and other accumulations.

#### ⚠ DANGER

Never attempt to repair or modify a tank! Welding, drilling or any other modification will weaken the tank resulting in damage from rupture or explosion. Always replace worn or damaged tanks. 


#### ⚠ WARNING


Drain liquid from tank daily.

- Tanks rust from moisture build-up, which weakens the tank. Make sure to drain tank daily and inspect periodically for unsafe conditions such as rust formation and corrosion.
- Fast moving air will stir up dust and debris which may be harmful. Release air slowly when draining moisture or depressurizing the compressor system.
- Indoor use only.
- To reduce the risk of electrical shock, do not expose to rain. Store indoors.

#### SPRAYING PRECAUTIONS

#### ⚠ WARNING

Do not spray flammable materials in vicinity of open flame or near ignition sources including the compressor unit. 

- Do not smoke when spraying paint, insecticides, or other flammable substances.
- Use a face mask/respirator when spraying and spray in a well ventilated area to prevent health and fire hazards. 
- Do not direct paint or other sprayed material at the compressor. Locate compressor as far away from the spraying area as possible to minimize overspray accumulation on the compressor.
- When spraying or cleaning with solvents or toxic chemicals, follow the instructions provided by the chemical manufacturer.

### Installation

#### LOCATION

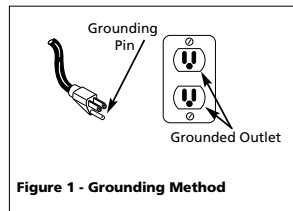
It is extremely important to use the compressor in a clean, well ventilated area where the surrounding air temperature will not be more than 100°F. A minimum clearance of 18 inches between the compressor and a wall is required because objects could obstruct air flow.

#### ⚠ CAUTION


Do not locate the compressor air inlet near steam, paint spray, sandblast areas or any other source of contamination. This debris will damage the motor.

#### GROUNDING INSTRUCTIONS

1. This product is for use on a nominal 120 volt circuit and has a grounding plug that looks like the plug illustrated in Fig. 1. Make sure the product is connected to an outlet having the same configuration as the plug. This product must be grounded. In the event of an electrical short circuit, grounding reduces risk of electrical shock by providing an escape wire for electric current. This product is equipped with a cord having a grounding wire with an appropriate grounding plug. Plug must be plugged into an outlet that is properly installed and grounded in accordance with all local codes and ordinances.



#### ⚠ DANGER

Improper use of grounding plug can result in a possible risk of electrical shock! 

## FP202800, FP202900, FP202897, FP202999DB, and FP202999DQ

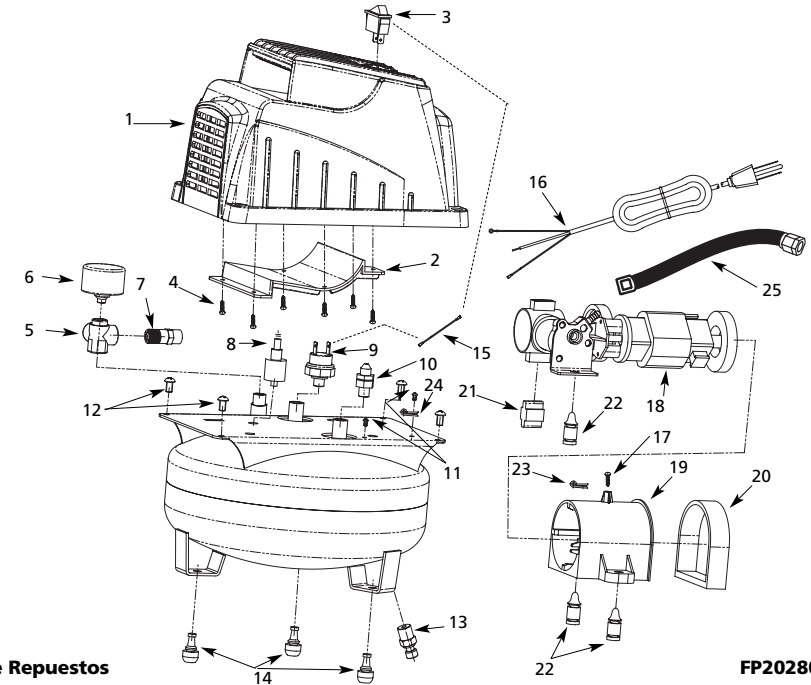
### Para Ordenar Repuestos Llame al Teléfono 1-800-543-6400

Sírvase darnos la siguiente información:

- Número del modelo
- Número de Serie (de haberlo)
- Descripción y número del repuesto según la lista de repuestos

Puede escribirnos a:

Campbell Hausfeld / Attn: Parts Department  
100 Production Drive  
Harrison, OH 45303 U.S.A.



#### Liste de Repuestos

FP202800

No. de Ref.	Descripción	Numero de pieza	Ctd.	No. de Ref.	Descripción	Numero de pieza	Ctd.
1	Tapa	●	1	16	Cordón eléctrico	FP202826AV	1
2	Accesorio de la cubierta	●	1	17	Tornillo M3x10	*	1
3	Interruptor de encendido/apagado	FP202833AV	1	18	Ensamblaje de bomba/motor	FP202824AV	1
4	Tornillo M3 x .15	●	6	19	Cubierta del motor	▲	1
5	Distribuidor	FP202832AV	1	20	Cubierta del extremo	▲	1
6	Manómetro	FP204012AV	1	21	SopORTE de goma	□	1
7	Válvula de seguridad	V-215102AV	1	22	Patatas de caucho (motor)	□	3
8	Amortiguador de goma, tornillo, tuerca, arandela	FP202831AV	1	23	Sujetador del cable	FP202823AV	1
9	Presostato	FP204836AV	1	24	Alivio de tensión	FP202822AV	1
10	Válvula de chequeo	FP204827AV	1	25	Kit de tubo de escape	FP202839AV	1
11	Tornillo M4x0.7x6	*	2	●	Juego de la cubierta	FP202834AV	
12	Tornillo M6x1.0x10	*	4	▲	Juego de la cubierta del motor	FP202835AV	
13	Válvula de drenaje	D-1403	1	□	Juego de patatas de caucho	FP202836AV	
14	Patatas de caucho (Tanque)	FP202828AV	3	□	Juego para calcomanía	FP202837AV	
15	Cable (interruptor de presión a interruptor de corriente)	FP202827AV	1	*	Artículo estándar de ferretería		

## Compresores Sin Aceite

### Guía de diagnóstico de averías (Continuación)

Problema	Posible(s) Causa(s)	Acción a tomar
Exceso de humedad en el aire de descarga	1. Demasiada agua en el tanque 2. Humedad elevada	1. Drene el tanque, incline el tanque para eliminar la humedad 2. Llévelo a un área menos húmeda, utilice un filtro de aire de línea <b>Nota:</b> La condensación de agua no es una causa para el malfuncionamiento del compresor.
El compresor funciona en forma continua y la válvula de seguridad se abre cuando aumenta la presión	1. Presostato defectuoso 2. Válvula de seguridad defectuosa	1. Cambie el interruptor de presión 2. Cambie la válvula de retención con un repuesto original
Arranques y paradas excesivas	1. Demasiada condensación en el tanque 2. Conexiones flojas (accesorios, tubería, etc.)	1. Drene con más frecuencia 2. Revise todas las conexiones con una solución de agua y jabón. Si se detecta una fuga, apriete. O quite la conexión y aplique cinta para tuberías a las rocas y vuelva a armar.

## FP202800, FP202900, FP202897, FP202999DB, and FP202999DQ

### Installation (Continued)

**DANGER** Do not use a grounding adapter with this product!

2. If repair or replacement of cord or plug is necessary, do not connect grounding wire to either flat blade terminal. The wire with insulation having an external surface that is green (with or without yellow stripes) is the grounding wire.

**WARNING** Never connect green (or green and yellow) wire to a live terminal.

3. Check with a qualified electrician or serviceman if grounding instructions are not completely understood, or if in doubt as to whether product is properly grounded. Do not modify plug provided; if it will not fit outlet, have proper outlet installed by a qualified electrician.

**CAUTION** Overheating, short circuiting and fire damage will result from inadequate wiring, etc.

### Operation

#### Definition of Terms

**ASME Safety Valve** - This valve automatically releases air if the tank pressure exceeds the preset maximum.

**Handle** - Designed to move the compressor.

**Drain Valve** - This valve is located on the bottom of the tank. Use this valve to drain moisture from the tank daily to reduce the risk of corrosion.

Reduce tank pressure below 10 psi, then drain moisture from tank daily to avoid tank corrosion. Drain moisture from tank by opening the drain valve located underneath the tank.

#### LUBRICATION

This is an oilless product and **DOES NOT** require lubrication to operate.

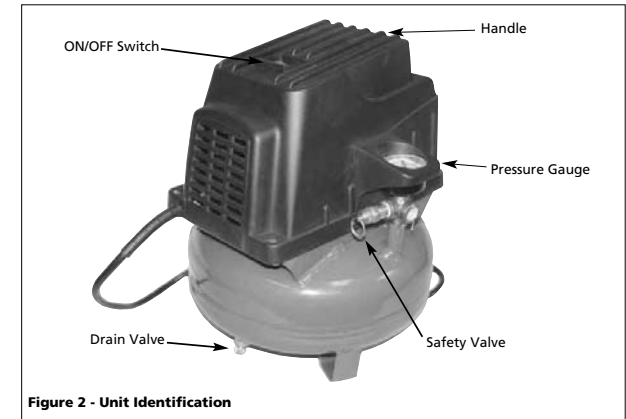


Figure 2 - Unit Identification

#### BEFORE FIRST STARTUP

##### BREAK-IN PROCEDURE

(Complete this procedure before using compressor for the first time. Once completed, it is not necessary to repeat.)

1. Do not attach a hose or any other fitting to the compressor.
2. Turn on/off switch to OFF position.
3. Plug in power cord.
4. Turn on/off switch to ON position. Allow compressor to run for 5 minutes.
5. Turn on/off switch to OFF position.
6. Unplug power cord.

#### BEFORE EACH STARTUP

##### OPERATING PROCEDURE

1. Connect air hose to open port located below pressure gauge.
2. Attach the necessary fitting or tool to open end of air hose.
3. Turn on/off switch to OFF position.
4. Plug in power cord.
- 5a. *If using inflation needles/nozzles:* Attach air hose with inflation fitting to the object you are going

to inflate. While holding inflation fitting firmly in place, turn on/off switch to ON position. Allow compressor to inflate the object. Turn off compressor and remove inflation fitting.

5b. *If using tire chuck or tool:* Once chuck or tool is attached to air hose, turn on/off switch to ON position and allow compressor to run until it automatically shuts off. When using tire chuck to inflate tires, observe gauge reading on compressor and periodically check tire pressure with a separate tire gauge to prevent overinflation.

#### On/Off cycling of compressor

In the ON position, the compressor pumps air into the tank. When a shut-off (preset "cut-out") pressure is reached, the compressor automatically shuts off.

If the compressor is left in the ON position and air is depleted from the tank by use of a tire chuck, tool, etc., the compressor will restart automatically at its preset "cut-in" pressure. When a tool is being used

#### Extension cords for 120V/2.5 Amp Unit

Length of Cord (ft)	25	50	100	150	200	250	300	400	500
Gauge of Cord	18	18	16	14	14	12	12	10	10

## Oilless Compressors

### Operation (Continued)

continuously, the compressor will cycle on and off automatically.

In the OFF position, the pressure switch cannot function and the compressor will not operate. Make sure switch is in OFF position when connecting or disconnecting power cord from electrical outlet.

#### ASME SAFETY VALVE

**AWARNING** Do not remove or attempt to adjust the safety valve!

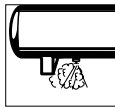
Check the safety valve by performing the following steps:

1. Plug the compressor in and run until shut off pressure is reached (see Operating Procedure).
2. Wearing safety glasses, pull the ring on the safety valve to release pressure from compressor tank. Use your other hand to deflect fast-moving air from being directed toward your face.
3. The safety valve should automatically close at approximately 40-50 PSI. If the safety valve does not allow air to be released when you pull on the ring, or if it does not close automatically, it MUST be replaced.

### Maintenance

#### AWARNING

Disconnect power source then release all pressure from the system before attempting to install, service, relocate or perform any maintenance.



Check compressor often for any visible problems and follow maintenance procedures each time compressor is used.

**AWARNING** Safety valve must be replaced if it cannot be actuated or it leaks air after ring is released.

**MOISTURE IN COMPRESSED AIR**

Moisture in compressed air will form into droplets as it comes from an air compressor pump. When humidity is high or when a compressor is in continuous use for an extended period of time, this moisture will collect in the tank. When using a paint spray or sandblast gun, this water will be carried from the tank through the hose, and out of the gun as droplets mixed with the spray material.

**IMPORTANT:** This condensation will cause water spots in a paint job, especially when spraying other than water based paints. If sandblasting, it will cause the sand to cake and clog the gun, rendering it ineffective. A filter in the air line (MP3105), located as near to the gun as possible, will help eliminate this moisture.

1. Turn compressor off and release pressure from system. (To release pressure from system, pull ring on ASME safety valve. Deflect escaping air by shielding valve with one hand as you pull ring with other hand.) Pull ring until tank is empty.

**CAUTION** A large amount of fast moving air will be released when the safety valve is opened with pressure in the tank. Wear ANSI approved Z87.1 safety glasses.

2. Drain moisture from tank by opening drain valve underneath tank. Tilt tank to remove all moisture.
3. Clean dust and dirt from tank, air lines and pump cover while compressor is still OFF.

#### LUBRICATION

This is an oilless type compressor requiring no lubrication.

#### THERMAL OVERLOAD PROTECTOR

**CAUTION** This compressor is equipped with an automatic reset thermal overload protector which will shut off motor if it becomes overheated.

If thermal overload protector shuts motor OFF frequently, make sure that the compressor is used in a clean, well-ventilated area where temperature will not exceed 100° F.

**CAUTION** If the thermal overload protector is actuated, the motor must be allowed to cool down before start-up is possible. The motor will automatically restart

without warning if left plugged into electrical outlet and unit is turned on.

#### STORAGE

1. Drain tank of moisture.

**AWARNING** Drain moisture from tank daily. Failure to drain tank can result in weakening due to rust and bursting.

2. When not in use, store compressor in a cool dry place.
3. Disconnect hose and hang open ends down to allow any moisture to drain.

## FP202800, FP202900, FP202897, FP202999DB, and FP202999DQ

### Guía de diagnóstico de averías

Problema	Posible(s) Causa(s)	Acción a tomar
El compresor no funciona	<ol style="list-style-type: none"> <li>1. El interruptor está en la posición OFF (apagado)</li> <li>2. No hay corriente eléctrica en el tomacorriente de la pared</li> <li>3. El compresor alcanzó la presión de corte automático</li> <li>4. Motor recalentado</li> <li>6. Interruptor de presión defectuoso</li> </ol>	<ol style="list-style-type: none"> <li>1. Asegúrese de que el compresor esté enchufado y que el interruptor esté en la posición ON (encendido)</li> <li>2. Revise el disyuntor o fusible en el panel de electricidad.</li> <li>3. Libere aire del tanque hasta que el compresor se reinicie automáticamente.</li> <li>4. Deje que el compresor se enfríe durante aproximadamente 30 minutos para que el interruptor térmico de sobrecarga vuelva a su posición normal. Asegúrese de que el compresor esté funcionando en un área limpia y bien ventilada donde la temperatura no exceda los 100°F.</li> <li>6. Cambie el interruptor de presión</li> </ol>
El protector térmico de sobrecarga detiene el funcionamiento reiteradamente	<ol style="list-style-type: none"> <li>1. Falta de ventilación adecuada/ temperatura ambiente demasiado alta</li> <li>2. Fallaron las válvulas del compresor</li> </ol>	<ol style="list-style-type: none"> <li>1. Mueva el compresor a un área limpia y bien ventilada donde la temperatura no exceda los 100°F.</li> <li>2. Cambie el ensamblaje de la bomba</li> </ol>
Golpeteos, zumbidos, vibración excesiva.	<ol style="list-style-type: none"> <li>1. El tanque no está nivelado</li> <li>2. Cojinete defectuoso en la excéntrica o en el eje del motor</li> <li>3. El aro del cilindro o pistón está desgastado o marcado</li> </ol>	<ol style="list-style-type: none"> <li>1. Nivele el tanque</li> <li>2. Cambie el ensamblaje de la bomba</li> <li>3. Cambie el ensamblaje de la bomba</li> </ol>
La presión del tanque disminuye cuando se apaga el compresor	<ol style="list-style-type: none"> <li>1. Válvula de drenaje floja</li> <li>2. Fugas en la válvula de retención</li> <li>3. Conexiones flojas (accesorios, tubería, etc.)</li> </ol>	<ol style="list-style-type: none"> <li>1. Apriete la válvula de drenaje</li> <li>2. Cambie la válvula de retención</li> <li>3. Revise todas las conexiones con una solución de agua y jabón. Si se detecta una fuga, apriete. O quite la conexión y aplique cinta para tuberías a las rocas y vuelva a armar.</li> </ol>
El compresor funciona en forma continua y la salida de aire es más baja que la presión de descarga normal/baja.	<ol style="list-style-type: none"> <li>1. Uso excesivo de aire, el compresor es demasiado pequeño</li> <li>2. Conexiones flojas (accesorios, tubería, etc.)</li> <li>3. Válvulas de entrada averiadas</li> <li>4. Aro del pistón desgastado</li> </ol>	<ol style="list-style-type: none"> <li>1. Disminuya el uso o compre una unidad que ofrezca una entrega de aire mayor (SCFM)</li> <li>2. Revise todas las conexiones con una solución de agua y jabón. Si se detecta una fuga, apriete. O quite la conexión y aplique cinta para tuberías a las rocas y vuelva a armar.</li> <li>3. Cambie el ensamblaje de la bomba</li> <li>4. Cambie el ensamblaje del pistón</li> </ol>

**PELIGRO** No desarme la válvula de retención. Si hay aire en el tanque, primero purgue el tanque.

## Compresores Sin Aceite

### Funcionamiento (Continuación)

5b. Si está usando una boquilla o herramienta para inflar neumáticos: Una vez que la boquilla o herramienta para inflar neumáticos esté conectada a la manguera de aire, coloque el interruptor de encendido/apagado en la posición ON (encendido) y deje que el compresor funcione hasta que se apague automáticamente. Cuando use la boquilla para inflar neumáticos con ese fin, controle la lectura del manómetro del compresor y verifique regularmente la presión real del neumático con otro manómetro para neumáticos para evitar inflar en exceso.

#### Ciclo de encendido/apagado del compresor

En la posición ON (encendido), el compresor bombea aire dentro del tanque. Cuando se alcanza la presión de apagado ("corte" preestablecido), el compresor se apaga automáticamente.

Si se deja el compresor en la posición ON (encendido) y el aire sale del tanque al usar una boquilla para inflar neumáticos, una herramienta, etc., el compresor se reiniciará automáticamente a su presión de "corte" preestablecida. Cuando se use una herramienta en forma continua, el compresor cumplirá un ciclo de encendido y apagado en forma automática.

En la posición OFF (apagado), el interruptor de presión no puede funcionar y el compresor no se pondrá en funcionamiento. Asegúrese de que el interruptor esté en la posición OFF cuando conecte o desconecte el cable de corriente del tomacorriente.

#### VALVULA DE SEGURIDAD ASME

**ADVERTENCIA** Nunca desconecte o trate de ajustar la válvula de seguridad ASME.

Revise la válvula de seguridad siguiendo los siguientes pasos:

1. Enchufe el compresor y hágalo funcionar hasta que se alcance la presión de corte (consulte Funcionamiento).

#### HUMEDAD EN EL AIRE COMPRIMIDO

La humedad que se acumula en el aire comprimido se convierte en gotas a medida que sale del cabezal del compresor de aire. Cuando el nivel de humedad es muy alto o cuando el compresor ha estado en uso continuo por mucho tiempo, ésta se acumulará en el tanque. Al usar una pistola pulverizadora de pintura o una rociadora de arena, la humedad saldrá a través de la manguera mezclada con el material que esté rociando.

**IMPORTANTE:** Esta condensación ocasionará manchas en la superficie pintada, especialmente cuando esté pulverizando pinturas que no sean a base de agua. Al rociar arena ésta ocasionará que la arena se aglutine y obstruya la pistola, reduciendo su eficacia. Para eliminar este problema, instale un filtro en la línea de aire (MP3105), lo más cerca posible de la pistola.

2. Usando gafas de protección, tire del anillo de la válvula de seguridad para liberar la presión del tanque del compresor. Use su otra mano para desviar el aire que se mueve a gran velocidad y evitar que le dé en el rostro.
3. Esta válvula de seguridad debería cerrarse automáticamente a 40-50 PSI. Si la válvula de seguridad no deja salir aire cuando tira del anillo o si no se cierra automáticamente, DEBE ser reemplazada.
2. Drene la humedad del tanque abriendo la válvula de drenaje debajo del tanque. Incline el tanque para eliminar toda la humedad.
3. Limpie el polvo y la suciedad del tanque, las líneas de aire y la cubierta de la bomba, mientras el compresor continúa apagado (OFF).

#### LUBRICACION/LUBRICACION

Este compresor no requiere lubricación.

#### PROTECTOR TERMICO

**ADVERTENCIA** Este compresor está equipado con un protector automático contra sobrecarga térmica que apagará el motor cuando éste se sobrecaliente.

Si el protector térmico de sobrecarga apaga el motor frecuentemente, asegúrese de que el compresor se utiliza en un área limpia y bien ventilada donde la temperatura no supera los 100°F.

**ADVERTENCIA** Debe esperar a que el motor se enfríe antes de encenderlo. El motor se encenderá automáticamente, sin previo aviso, si lo deja conectado al tomacorriente y enciende la unidad.

#### ALMACENAMIENTO

1. Drene la humedad del tanque.

**ADVERTENCIA** Drene el tanque diariamente. Si no lo hace, éste podría oxidarse y romperse

2. Cuando no esté en uso, guarde el compresor en un lugar fresco y seco.
3. Desconecte la manguera y cuélguela con los extremos abiertos hacia abajo, para permitir que drene toda la humedad.

**CAUTION** Cuando se abra la válvula de seguridad con presión en el tanque, se liberará una gran cantidad de aire que se mueve a gran velocidad. Use gafas de seguridad Z87.1 aprobadas por ANSI.

## FP202800, FP202900, FP202897, FP202999DB, and FP202999DQ

### Troubleshooting Chart

Symptom	Possible Cause(s)	Corrective Action
Compressor will not run	<ol style="list-style-type: none"> <li>1. Switch in OFF position</li> <li>2. No electrical power at wall outlet</li> <li>3. Compressor has reached automatic shut-off pressure</li> <li>4. Motor overheated</li> <li>5. Pressure switch bad</li> </ol>	<ol style="list-style-type: none"> <li>1. Make sure compressor is plugged in and switch is ON</li> <li>2. Check circuit breaker or fuse at electrical panel.</li> <li>3. Release air from tank until compressor restarts automatically</li> <li>4. Allow compressor to cool for approximately 30 minutes so thermal overload switch will reset. Make sure compressor is run in a clean, well-ventilated area where temperature will not exceed 100°F.</li> <li>5. Replace pressure switch</li> </ol>
Thermal overload protector cuts out repeatedly	<ol style="list-style-type: none"> <li>1. Lack of proper ventilation/room temperature too high</li> <li>2. Compressor valves failed</li> </ol>	<ol style="list-style-type: none"> <li>1. Move compressor to a clean, well ventilated area where temperature will not exceed 100°F.</li> <li>2. Replace pump assembly</li> </ol>
Knocks, rattles, excessive vibration	<ol style="list-style-type: none"> <li>1. Tank not level</li> <li>2. Defective bearing on eccentric or motor shaft</li> <li>3. Cylinder or piston ring is worn or scored</li> </ol>	<ol style="list-style-type: none"> <li>1. Shim tank to level position</li> <li>2. Replace pump assembly</li> <li>3. Replace pump assembly</li> </ol>
Tank pressure drops when compressor shuts off	<ol style="list-style-type: none"> <li>1. Loose drain valve</li> <li>2. Check valve leaking</li> <li>3. Loose connections (fittings, tubing, etc.)</li> </ol>	<ol style="list-style-type: none"> <li>1. Tighten drain valve</li> <li>2. Replace check valve</li> <li>3. Check all connections with soap and water solution. If a leak is detected, tighten. Or remove fitting and apply pipe tape to threads and reassemble.</li> </ol> <p><b>DANGER</b> Do not disassemble check valve. With air in tank, bleed tank first.</p>
Compressor runs continuously and air output is lower than normal/low discharge pressure	<ol style="list-style-type: none"> <li>1. Excessive air usage, compressor too small</li> <li>2. Loose connections (fittings, tubing, etc.)</li> <li>3. Broken inlet valves</li> <li>4. Piston ring worn</li> </ol>	<ol style="list-style-type: none"> <li>1. Decrease usage or purchase unit with higher air delivery (SCFM)</li> <li>2. Check all connections with soap and water solution. If a leak is detected, tighten. Or remove fitting and apply pipe tape to threads and reassemble.</li> <li>3. Replace pump assembly</li> <li>4. Replace piston assembly</li> </ol>
Excessive moisture in discharge air	<ol style="list-style-type: none"> <li>1. Excessive water in tank</li> <li>2. High humidity</li> </ol>	<ol style="list-style-type: none"> <li>1. Drain tank, tilt tank to remove moisture</li> <li>2. Move to area of less humidity; use air line filter</li> </ol> <p><b>NOTE:</b> Water condensation is not caused by compressor malfunction</p>

## Oilless Compressors

### Troubleshooting Chart (Continued)

Symptom	Possible Cause(s)	Corrective Action
Compressor runs continuously and safety valve opens as pressure rises	1. Defective pressure switch 2. Defective safety valve	1. Replace pressure switch 2. Replace safety valve with genuine replacement part
Excessive starting and stopping	1. Excessive condensation in tank 2. Loose connections (fittings, tubing, etc.)	1. Drain more often 2. Check all connections with soap and water solution. If a leak is detected, tighten. Or remove fitting and apply pipe tape to threads and reassemble.

### Notes

---



---



---



---



---



---



---



---



---



---



---



---



---



---



---



---



---



---



---



---



---

www.chpower.com

## FP202800, FP202900, FP202897, FP202999DB, and FP202999DQ

### Instalación (Continuación)

tomacorrientes que esté instalado adecuadamente según los códigos y ordenanzas locales.

#### PRECAUCIÓN

El uso inadecuado del enchufe con conexión a tierra podría ocasionarle choques eléctricos.



PRECAUCIÓN No use un adaptador para conexión a tierra con este producto.

2. Si necesita reparar o reemplazar el cordón o el enchufe, no conecte el cable de conexión a tierra a ninguno de los terminales planos. El alambre cuya superficie externa del aislante es verde, con o sin rayas amarillas, es el cable de conexión a tierra

**ADVERTENCIA** Nunca conecte los cables verdes o verde con rayas amarillas, a un terminal con tensión.

3. Consúltele a un electricista calificado o a un técnico de reparación, en caso de que no comprenda bien las instrucciones o si tiene dudas de que esté conectado a tierra adecuadamente. No modifique el enchufe, si éste no entra en el tomacorrientes, mande a instalar un tomacorrientes adecuado con un electricista calificado.

### Funcionamiento

**Válvula de seguridad ASME** - Esta válvula automáticamente libera el aire si la presión del tanque excede el valor máximo fijado de fábrica.

**Tubería de descarga** - Esta tubería transporta el aire comprimido del cabezal a la válvula de chequeo. Esta tubería se calienta excesivamente durante el uso. Para evitar quemaduras graves, nunca la toque.

**Válvula de chequeo** - Esta válvula solo permite que el aire entre al tanque y evita que éste se regrese al cabezal.

**Mango** - Diseñado para mover el

compresor.

**Llave de drenaje** - Esta válvula está ubicada debajo del tanque. Úsela para drenar la humedad del tanque diariamente, para evitar que el tanque se oxide.

Reduzca la presión del tanque a menos de 0,69 bar, después drene la humedad del tanque diariamente para evitar que se oxide. Para drenar los tanques abra la llave ubicada debajo del tanque.

#### ENGRASE

Este es un aparato sin aceite y no requiere engrases para su funcionamiento.

#### ANTES DE ARRANCARLO POR PRIMERA VEZ PROCEDIMIENTO DE ABLANDE

(Complete este procedimiento antes de usar el compresor por primera vez. Una vez completado, no es necesario repetirlo.)

1. No conecte una manguera ni ningún otro accesorio al compresor.
2. Coloque el interruptor de encendido/apagado en la posición OFF (apagado).
3. Enchufe el cable de corriente.
4. Coloque el interruptor de

encendido/apagado en la posición ON (encendido). Deje que el compresor funcione durante 5 minutos.

5. Coloque el interruptor de encendido/apagado en la posición OFF (apagado).
6. Desenchufe el cable de corriente.

#### ANTES DE INICIAR CADA PROCEDIMIENTO DE ENCENDIDO

1. Conecte la manguera de aire al puerto abierto ubicado debajo del manómetro.
2. Conecte el accesorio o la herramienta necesaria al extremo abierto de la manguera de aire.
3. Coloque el interruptor de encendido/apagado en la posición OFF (apagado).
4. Enchufe el cable de corriente.
- 5a. *Si está usando agujas/boquillas para inflado:* Conecte la manguera de aire con el accesorio de inflado al objeto que desea inflar. Mientras sujeta firmemente el accesorio de inflado en su lugar, coloque el interruptor de encendido/apagado en la posición ON (encendido). Deje que el compresor infle el objeto. Apague el compresor y retire el accesorio de inflado.

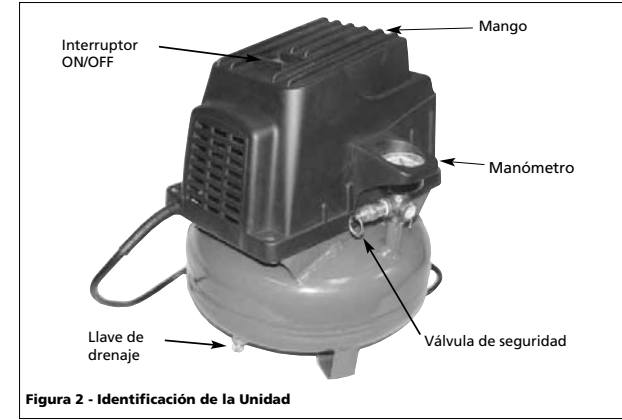


Figura 2 - Identificación de la Unidad

#### Cordones de extensión para los modelos de 120V/2.5 Amp

Longitud del cordón (m)	7,62	15,24	30,48	45,72	60,96	76,2	91,44	121,92	152,4
Calibre del cordón	18	18	16	14	14	12	12	10	10

**Informaciones Generales de Seguridad**

**(Continuación)**

- Siga todos los códigos de seguridad laboral y electricidad establecidos en su país, por ejemplo los de la NEC y OSHA en EUA.
- Este compresor sólo debe ser usado por personas que estén bien familiarizadas con las reglas de seguridad y de manejo.
- Mantenga a los visitantes alejados y NUNCA permita la presencia de niños en el área de trabajo.
- Siempre use anteojos de seguridad y protéjase los oídos para operar el cabezal o el compresor.
- No se encaramo sobre el cabezal, ni lo use para sostenerse.
- Antes de cada uso, inspeccione el sistema de aire comprimido y los componentes eléctricos, para ver si están dañados, deteriorados, desgastados o tienen fugas. Repare o reemplace las piezas dañadas antes de usar el equipo.
- Chequee todas las conexiones frecuentemente para cerciorarse de que estén bien apretadas.



**ADVERTENCIA**

Los motores, equipos eléctricos y controles pueden ocasionar arcos eléctricos que encenderían gases o vapores inflamables. Nunca opere o repare el compresor cerca de gases o vapores inflamables. Nunca almacene líquidos o gases inflamables cerca del compresor.



**PRECAUCION**

Las piezas del compresor podrían estar calientes, inclusive cuando la unidad esté apagada.



- Mantenga los dedos alejados del compresor cuando esté funcionando; las piezas en movimiento o calientes, le ocasionarían heridas y/o quemaduras.
- Si el equipo comienza a vibrar excesivamente, APAGUE el motor y chequéelo inmediatamente para

determinar la razón. Generalmente, la vibración excesiva se debe a una falla.

- Para reducir el peligro de incendio, mantenga el exterior del motor libre de aceite, solventes o exceso de grasa.

**ADVERTENCIA** Nunca debe desconectar o tratar de ajustar las válvulas de seguridad. Igualmente, debe evitar que se le acumule pintura u otros materiales.

**PRECAUCION**

¡Nunca trate de reparar o modificar el tanque! Si lo suelda, taladra o modifica de cualquier otra manera, el tanque se debilitará y se podría dañar, romperse o explotar. Siempre reemplace los tanques desgastados, rotos o dañados.



**ADVERTENCIA** Drene el tanque diariamente.

- Los tanques se oxidan debido a la acumulación de humedad y esto debilita el tanque. Asegúrese de drenar el tanque a diario y de inspeccionar periódicamente para detectar condiciones de peligro como la formación de óxido y corrosión.
- La circulación rápida de aire podría levantar polvo y desperdicios dañinos. Siempre libere el aire lentamente para drenar el tanque o liberar la presión del sistema.
- Uso de interior solamente.
- Para reducir el riesgo de choque eléctrico, no exponer a la lluvia. Guarde bajo techo.

**PRECAUCIONES PARA ROCIAR**

**ADVERTENCIA**

Nunca rocíe materiales inflamables cerca de llamas al descubierta o fuentes de ignición incluyendo el compresor.



- No fume mientras esté rociando pintura, insecticidas u otras substancias inflamables.
- Use una máscara/respirador cuando vaya a rociar y siempre rocíe en un área bien



- ventilada para evitar peligros de salud e incendios.
- Nunca rocíe la pintura y otros materiales, directamente hacia el compresor. Coloque el compresor lo más lejos posible del área de trabajo, para minimizar la acumulación de residuos en el compresor.
- Al rociar o limpiar con solventes o químicos tóxicos, siga las instrucciones del fabricante de dichos químicos.

**Instalación**

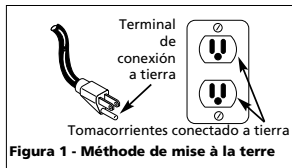
**COLOCACION**  
Es de suma importancia uso el compresor en un lugar limpio y bien ventilado donde la temperatura ambiente no sea mayor de 38° C (100°F).

Se requiere un espacio mínimo de 45,7 cm (18 pulgadas) entre el compresor y la pared, ya que los objetos podrían obstruir el paso de aire.

**PRECAUCION** No coloque la entrada de aire del compresor cerca de áreas con vapor, vapores de pintura, chorros de arena o cualquier otra fuente de contaminación. Los desperdicios dañarán el motor.

**CONEXION A TIERRA**

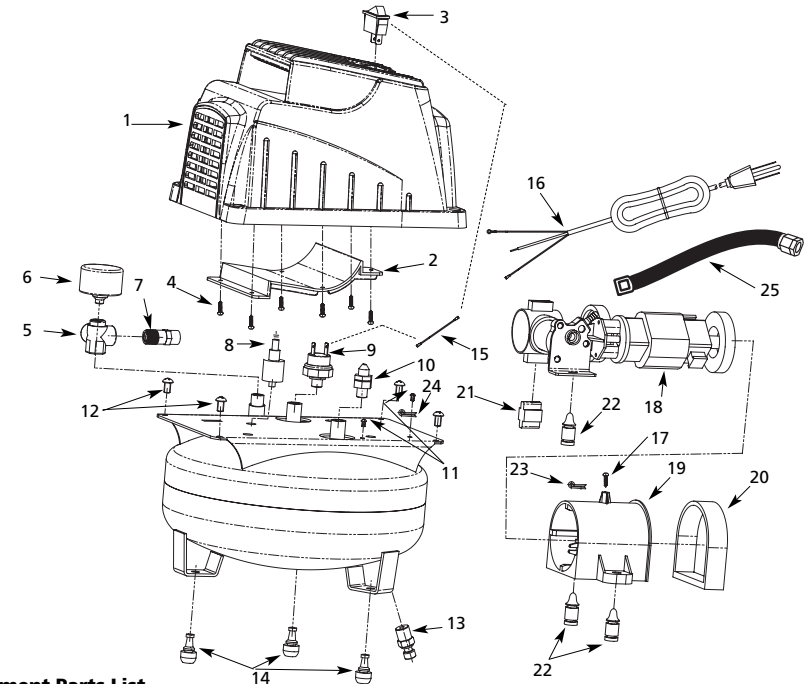
1. Este producto está diseñado para circuitos nominales de 120 voltios y tiene un enchufe para conexión a tierra similar al de la Figura 1. Cerciórese de conectarlo a un tomacorrientes cuya configuración sea similar a la del enchufe. Este producto se debe conectar a tierra. En caso de que ocurra un cortocircuito, esto evitaría el riesgo de choque eléctrico al ofrecerle un cable de desvío a la corriente eléctrica. Este producto tiene un cordón con un alambre y terminal de conexión a tierra. Debe conectarlo a un



**For Replacement Parts, Call 1-800-543-6400**

Please provide following information:  
-Model number  
-Serial number (if any)  
-Part description and number as shown in parts list

Address parts correspondence to:  
Campbell Hausfeld  
Attn: Parts Department  
100 Production Drive  
Harrison, OH 45030 U.S.A.



**Replacement Parts List**

Ref. No.	Description	Part Number	Qty.	Ref. No.	Description	Part Number	Qty.
1	Shroud	●	1	16	Power cord	FP202826AV	1
2	Shroud insert	●	1	17	M3x10 screw	*	1
3	On/off switch	FP202833AV	1	18	Pump/motor assembly	FP202824AV	1
4	M3x15 screw	●	6	19	Motor cover	▲	1
5	Manifold	FP202832AV	1	20	End cover	▲	1
6	Gauge	FP204012AV	1	21	Rubber support	□	1
7	Safety valve	V-215102AV	1	22	Rubber feet (motor)	□	3
8	Rubber cushion, screw, nut, washer	FP202831AV	1	23	Wire clip	FP202823AV	1
9	Pressure switch	FP204836AV	1	24	Strain relief	FP202822AV	1
10	Check valve	FP204827AV	1	25	Exhaust tube kit	FP202839AV	1
11	M4x0.7x6 screw	*	2	●	Shroud kit	FP202834AV	
12	M6x1.0x10 screw	*	4	▲	Motor cover kit	FP202835AV	
13	Drain valve	D-1403	1	□	Rubber feet kit	FP202836AV	
14	Rubber feet (tank)	FP202828AV	3		Decal kit	FP202837AV	
15	Wire (pressure switch to power switch)	FP202827AV	1	*	Standard hardware item		

## Oilless Compressors

FP202800, FP202900, FP202897,  
FP202999DB, and FP202999DQ

### Limited Warranty

1. DURATION: From the date of purchase by the original purchaser as follows: Standard Duty - One Year, Serious Duty - Two Years, Extreme Duty - Three Years.
  2. WHO GIVES THIS WARRANTY (WARRANTOR): Campbell Hausfeld / Scott Fetzer Company, 100 Production Drive, Harrison, Ohio, 45030, Telephone: (800) 543-6400
  3. WHO RECEIVES THIS WARRANTY (PURCHASER): The original purchaser (other than for purposes of resale) of the Campbell Hausfeld compressor.
  4. WHAT PRODUCTS ARE COVERED BY THIS WARRANTY: Any Campbell Hausfeld air compressor.
  5. WHAT IS COVERED UNDER THIS WARRANTY: Substantial defects due to material and workmanship with the exceptions noted below.
  6. WHAT IS NOT COVERED UNDER THIS WARRANTY:
    - A. Implied warranties, including those of merchantability and FITNESS FOR A PARTICULAR PURPOSE ARE LIMITED FROM THE DATE OF ORIGINAL PURCHASE AS STATED IN THE DURATION. If this compressor is used for commercial, industrial or rental purposes, the warranty will apply for ninety (90) days from the date of purchase. Extreme Duty Contractor Compressors are not limited to a ninety (90) day warranty when used in contractor applications. Four cylinder single-stage and two-stage compressors are not limited to a ninety (90) day warranty when used in commercial or industrial applications. Some States do not allow limitations on how long an implied warranty lasts, so the above limitations may not apply to you.
    - B. ANY INCIDENTAL, INDIRECT, OR CONSEQUENTIAL LOSS, DAMAGE, OR EXPENSE THAT MAY RESULT FROM ANY DEFECT, FAILURE, OR MALFUNCTION OF THE CAMPBELL HAUSFELD PRODUCT. Some States do not allow the exclusion or limitations of incidental or consequential damages, so the above limitation or exclusion may not apply to you.
    - C. Any failure that results from an accident, purchaser's abuse, neglect or failure to operate products in accordance with instructions provided in the owner's manual(s) supplied with compressor.
    - D. Pre-delivery service, i.e. assembly, oil or lubricants, and adjustment.
    - E. Items or service that are normally required to maintain the product, i.e. lubricants, filters and gaskets, etc.
    - F. Gasoline engines and components are expressly excluded from coverage under this limited warranty. The Purchaser must comply with the warranty given by the engine manufacturer which is supplied with the product.
  6. Additional items not covered under this warranty:
    1. All Compressors
      - a. Any component damaged in shipment or any failure caused by installing or operating unit under conditions not in accordance with installation and operation guidelines or damaged by contact with tools or surroundings.
      - b. Pump or valve failure caused by rain, excessive humidity, corrosive environments or other contaminants.
      - c. Cosmetic defects that do not interfere with compressor functionality.
      - d. Rusted tanks, including but not limited to rust due to improper drainage or corrosive environments.
      - e. Electric motors, check valves and pressure switches after the first year of ownership.
      - f. Drain cocks.
      - g. Damage due to incorrect voltage or improper wiring.
      - h. Other items not listed but considered general wear parts.
      - i. Pressure switches, air governors and safety valves modified from factory settings.
    2. Lubricated Compressors
      - a. Pump wear or valve damage caused by using oil not specified.
      - b. Pump wear or valve damage caused by any oil contamination or by failure to follow proper oil maintenance guidelines.
    3. Belt Drive / Direct Drive / Gas Driven Compressors
      - a. Belts.
      - b. Ring wear or valve damage from inadequate filter maintenance.
      - c. Manually adjusted load/unload and throttle control devices.
  7. RESPONSIBILITIES OF WARRANTOR UNDER THIS WARRANTY: Replace, at Warrantor's option, compressor or component which is defective, has malfunctioned and/or failed to conform within duration of the warranty period.
  8. RESPONSIBILITIES OF PURCHASER UNDER THIS WARRANTY:
    - A. Provide dated proof of purchase and maintenance records.
    - B. Use reasonable care in the operation and maintenance of the products as described in the owner's manual(s).
  9. WHEN WARRANTOR WILL PROVIDE REPLACEMENT UNDER THIS WARRANTY: Replacement will be scheduled according to the availability of replacement compressor or parts.
- This Limited Warranty applies in the U.S., Canada and Mexico only and gives you specific legal rights. You may also have other rights which vary from State to State or country to country.

Ver la Garantía en página 24 para información importante sobre el uso comercial de este producto.

Manuel de Instrucciones y Lista de Piezas

FP202800, FP202900, FP202897,  
FP202999DB, and FP202999DQ

Sírvase leer y guardar estas instrucciones. Lea con cuidado antes de tratar de armar, instalar, manejar o darle servicio al producto descrito en este manual. Protéjase Ud. y a los demás observando todas las reglas de seguridad. El no seguir las instrucciones podría resultar en heridas y/o daños a su propiedad. Guarde este manual como referencia.

# Compresores Sin Aceite

## Descripción

Compresores sin aceite diseñados para los aficionados al bricolaje, con una variedad de trabajos domésticos y automotores. Estas unidades funcionan sin aceite. El aire comprimido que sale de esta unidad contiene humedad. Instale un filtro de humedad o un secador de aire si la aplicación requiere aire seco.

## Medidas de Seguridad

Este manual contiene información que es muy importante que sepa y comprenda. Esta información se la suministramos como medida de SEGURIDAD y para EVITAR PROBLEMAS CON EL EQUIPO. Debe reconocer los siguientes símbolos.

**ALTO!** Este le indica que hay una situación inmediata que LE OCASIONARIA la muerte o heridas de gravedad.

**ADVERTENCIA** Este le indica que hay una situación que PODRIA ocasionarle la muerte o heridas de gravedad.

**PRECAUCION** Este le indica que hay una situación que PODRIA ocasionarle heridas no muy graves.

**AVISO** Ésto le indica una información importante, que de no seguirla, le podría ocasionar daños al equipo.

## Desempaque

Cuando desempaque la unidad, inspecciónela cuidadosamente para verificar si se han producido daños durante el transporte. Asegúrese de apretar todos los accesorios, pernos, etc. que estén sueltos antes de poner la unidad en

**RECORDATORIO:** ¡Guarde su comprobante de compra con fecha para fines de la garantía! Adjúntela a este manual o archívela en lugar seguro.



¡NO DEVUELVA EL PRODUCTO AL MINORISTA! LLAME AL 1-800-543-6400



Registre en el espacio a continuación el No. del Modelo, el Número de Serie y la Fecha de Compra ubicados en la base debajo de la bomb.

No. del Modelo \_\_\_\_\_

No. de Serie \_\_\_\_\_

Fecha de Compra \_\_\_\_\_

Guarde estos números para referencia en el futuro.

servicio. En el caso de que haya daño o partes que faltan, haga el favor de llamar al 1-800-543-8622 para obtener ayuda.

Se incluye una lista de los lugares en donde se encuentran los centros de servicio. Tenga a mano el número de serie, el número del modelo y la lista de partes (con las partes que faltan marcadas con un círculo) antes de llamar.

**ADVERTENCIA** No debe utilizar la unidad si se ha dañado durante el envío, manejo o uso. Los daños podrían ocasionar una explosión y ocasionarle heridas o daños a su propiedad.

## PELIGRO

### Advertencia sobre el aire respirable

Este compresor/cabezal no viene listo de fábrica para suministrarle aire respirable. Antes de utilizarlos con este fin, deberá instalarle un sistema de seguridad y alarma incorporado a la línea. Este sistema adicional es necesario para filtrar y purificar el aire adecuadamente, para cumplir con las especificaciones mínimas sobre aire respirable de Grado D descritas en la Especificación de Productos G 7.1 - 1966 de la Asociación de Aire Comprí-mido.

Igualmente, deberá cumplir los requisitos establecidos por el Artículo 29 CFR 1910.134 de la Organización norteamericana OSHA y/o la Canadian Standards Associations (CSA).

**RENUNCIA A LAS GARANTIAS**  
Si el compresor se utiliza para producir aire respirable SIN haberle instalado el sistema de seguridad y alarma, todas la garantías se anularán y la compañía Campbell Hausfeld no asumirá NINGUNA responsabilidad por pérdidas, heridas personales o daños.

## Informaciones Generales de Seguridad

Como el compresor de aire y otros componentes usados (cabezales, pistolas pulverizadoras, filtros, lubricadores, mangueras, etc.), forman parte de un sistema de bombeo de alta presión, deberá seguir las siguientes medidas de seguridad todo el tiempo:

1. Lea con cuidado todos los manuales incluidos con este producto. Familiarícese con los controles y el uso adecuado del equipo.





## Compresseur Sans Huile

**FP202800, FP202900, FP202897,  
FP202999DB, and FP202999DQ**

### Garantie Limitée

1. DURÉE: À partir de la date d'achat par l'acheteur original comme suit: Produits À Service Standard (Standard Duty) - Un An, Produits À Service Sérieux (Serious Duty) - Deux Ans, Produits À Service Extrême (Extreme Duty) - Trois Ans.
  2. GARANTIE ACCORDÉE PAR (GARANT): Campbell Hausfeld/Scott Fetzer Company, 100 Production Drive, Harrison, Ohio, 45030, Téléphone: (800) 543-6400
  3. BÉNÉFICIAIRE DE CETTE GARANTIE (ACHETEUR): L'acheteur original (sauf en cas de vente) du produit Campbell Hausfeld.
  4. PRODUITS COUVERTS PAR CETTE GARANTIE: N'importe quel compresseur d'air Campbell Hausfeld.
  5. COUVERTURE DE LA PRÉSENTE GARANTIE: Défauts de matière et de fabrication considérables avec les exceptions indiquées ci-dessous.
  6. LA PRÉSENTE GARANTIE NE COUVRE PAS:
    - A. Les garanties implicites, y compris celles de commercialisabilité et D'ADAPTION À UNE FONCTION PARTICULIÈRE SONT LIMITÉES À PARTIR DE LA DATE D'ACHAT INITIALE TELLE QU'INDIQUÉE DANS LA SECTION DURÉE. Si ce compresseur d'air est utilisé pour une fonction commerciale ou pour la location, la durée de la garantie sera quatre-vingt-dix (90) jours à compter de la date d'achat. Les Compresseurs À Service Extrême Pour Entrepreneurs ne sont pas limités à une garantie de quatre-vingt-dix (90) jours si utilisés pour applications d'entrepreneur. Les produits à quatre cylindres d'un ou de deux étages ne sont pas limités à une garantie de quatre-vingt-dix (90) jours si utilisés dans les applications commerciales ou industrielles. Quelques Provinces (États) n'autorisent pas de limitations de durée pour les garanties implicites. Les limitations précédentes peuvent donc ne pas s'appliquer.
    - B. TOUT DOMMAGE, PERTE OU DÉPENSE FORTUIT OU INDIRECT POUVANT RÉSULTER DE TOUT DÉFAUT, PANNE OU MAUVAIS FONCTIONNEMENT DU PRODUIT CAMPBELL HAUSFELD. Quelques Provinces (États) n'autorisent pas l'exclusion ni la limitation des dommages fortuits ou indirects. La limitation ou l'exclusion précédente peut ne donc pas s'appliquer.
    - C. Toute panne résultant d'un accident, d'une utilisation abusive, de la négligence ou d'une utilisation ne respectant pas les instructions données dans le(s) manuel(s) accompagnant le produit.
    - D. Service avant livraison; le montage, l'huile ou la graisse et les réglages par exemples.
    - E. Articles ou services qui sont exigés pour l'entretien normal du produit; graisses, filtres et joints d'étanchéités par exemples.
    - F. Les moteurs à essence et les pièces détachées sont expressément exclus de cette garantie limitée. L'acheteur doit observer la garantie du fabricant de moteur qui est fournie avec le produit.
    - G. Articles supplémentaires qui ne sont pas couverts sous cette garantie:
      1. Tous les Compresseurs
        - a. Toutes pièces détachées endommagées pendant l'expédition, n'importe quelle panne causée par un montage ou fonctionnement du modèle sous des conditions qui ne conforment pas aux directives de montage et de fonctionnement ou dommage causée par le contact avec les outils ou les alentours.
        - b. La panne de la pompe ou de la soupape causée par la pluie, l'humidité excessive, un environnement corrosif ou autres polluants.
        - c. Les défauts de forme qui n'ont pas d'effet sur le fonctionnement du compresseur.
        - d. Les réservoirs rouillés, y compris mais pas limités à la rouille causé par le vidage incorrect ou par un environnement corrosif.
        - e. Les moteurs électriques, les clapets, et les manostats suivant la première année de possession.
        - f. Robinets de vidage.
        - g. Dommage dû à la tension ou installation de fils incorrecte.
        - h. Autres articles pas indiqués mais considérés pièces à fatigue générales.
        - i. Manostats, régulateurs d'air et soupapes de sûreté qui ont été modifiés d'après les réglages de l'usine.
      2. Compresseurs Graissés
        - a. Usure de la pompe ou dommage aux soupapes causé par l'utilisation d'huile non-spécifiée.
        - b. Usure de la pompe ou dommage aux soupapes causé par toute contamination d'huile ou par le manque de suivre les directives d'entretien d'huile.
      3. Commande par Courroie / Commande Directe / Compresseurs à Essence
        - a. Courroies
        - b. Usure de bagues causée par l'entretien de filtre insuffisant
        - c. Appareils manuels de chargement/déchargement et appareils de commande d'obturateur.
  7. RESPONSABILITÉS DU GARANT AUX TERMES DE CETTE GARANTIE: Remplacement, au choix du Garant, d'un compresseur ou d'une pièce détachée qui se sont révélés défectueux ou qui ne se sont pas conformés pendant la durée de validité de la garantie.
  8. RESPONSABILITÉS DE L'ACHETEUR AUX TERMES DE CETTE GARANTIE:
    - A. Fournir une preuve d'achat datée et un état d'entretien.
    - B. Utilisation et entretien du produit avec un soin raisonnable, ainsi que le décrit le(s) manuel(s) d'utilisation.
  9. LORSQUE LE GARANT FOURNIT LE REMPLACEMENT SOUS LA GARANTIE: Le remplacement se fera selon la disponibilité des pièces ou du compresseur de rechange.
- Cette Garantie Limitée s'applique aux É.-U., au Canada et au Mexique seulement et vous donne des droits juridiques précis. L'acheteur peut également jouir d'autres droits qui varient d'une Province, d'un État ou d'un Pays à l'autre.

Voir la Garantie à la page 16 pour de l'information importante sur l'utilisation commerciale de ce produit.

Instructions d'Utilisation et Manual de Pièces

**FP202800, FP202900, FP202897,  
FP202999DB, and FP202999DQ**

*S'il vous plaît lire et conserver ces instructions. Lire attentivement avant de monter, installer, utiliser ou de procéder à l'entretien du produit décrit. Se protéger ainsi que les autres en observant toutes les instructions de sécurité, sinon, il y a risque de blessure et/ou dégâts matériels! Conserver ces instructions comme référence.*

# Compresseur Sans Huile

## Description

Les compresseurs sans huile sont conçus pour les bricoleurs avec une variété de travaux domestiques et automobiles. Ces modèles fonctionnent sans huile. L'air comprimé de ce modèle sera humide. Installer un filtre pour l'eau ou un sècheur si votre application requiert l'air sec.

## Directives de Sécurité

Ce manuel contient de l'information très importante qui est fournie pour la SÉCURITÉ et pour ÉVITER LES PROBLÈMES D'ÉQUIPEMENT. Rechercher les symboles suivants pour cette information.

**⚠ DANGER** Danger indique une situation hasardeuse imminente qui RÉSULTERA en perte de vie ou blessures graves.

**⚠ AVERTISSEMENT** Avertissement indique une situation hasardeuse potentielle qui PEUT résulter en perte de vie ou blessures graves.

**⚠ ATTENTION** Attention indique une situation hasardeuse potentielle qui PEUT résulter en blessures.

**⚠ AVIS** Avis indique de l'information importante pour éviter le dommage de l'équipement.

## Déballage

Lors du déballage de ce produit, l'examiner soigneusement pour rechercher toute trace de dommage susceptible de s'être produit en cours de transport. Veiller à serrer tout raccord, boulon, etc., avant de mettre ce produit en service. En cas de dommage ou de



**NE PAS RENVoyer LE PRODUIT AU MARCHAND! APPELER 1-800-543-6400**



Enregistrer le No. de Modèle, No. de Série, et la Date d'Achat située sur la base de la pompe dans l'espace ci-dessous.

No. de Modèle \_\_\_\_\_

No. de Série \_\_\_\_\_

Date d'Achat \_\_\_\_\_

*Garder ces numéros pour référence*

parties manquantes, S.V.P. composer le 1-800-543-8622 pour demander conseil.

Une liste de centres de services est ci-inclus. Prière d'avoir le numéro de série, numéro de modèle et liste de parties (avec les parties manquantes encadrées) avant d'appeler.

**⚠ AVERTISSEMENT** Ne pas utiliser un modèle qui a été endommagé pendant le transport, la manipulation ou l'utilisation. Le dommage peut résulter en explosion et peut causer des blessures ou dégâts matériels.

## Généralités sur la Sécurité

Puisque le compresseur d'air et les autres pièces détachées (filtres, graisseurs, tuyaux, etc.) font partie d'un système de haute pression, il est nécessaire de suivre

**MÉMENTO: Gardez votre preuve datée d'achat à fin de la garantie! Joignez-la à ce manuel ou classez-la dans un dossier pour plus de sécurité.**

## ⚠ DANGER

### Avertissement d'Air Respirable

Ce compresseur/pompe n'est pas équipé pour et ne devrait pas être utilisé "comme soi" pour fournir de l'air respirable. Pour les applications d'air pour la consommation humaine, il est nécessaire d'équiper le compresseur d'air/pompe avec de l'équipement de sécurité en canalisation et d'alarme. Cet équipement additionnel est nécessaire pour filtrer et purifier l'air afin d'atteindre les spécifications minimales pour la respiration Grade D décrite dans le Compressed Gas Association Commodity Specification G 7.1 - 1966, OSHA 29 CFR 1910. 134, and/or Canadian Standards Associations (CSA).


**DÉNÉGATION DES GARANTIES** Si le compresseur est utilisé pour les applications d'air respirable et l'équipement de sécurité en canalisation et d'alarme n'est pas utilisé simultanément, les garanties en existence seront annulées, et Campbell Hausfeld dénie toute responsabilité pour n'importe quelle perte, blessure ou dommage.

les précautions suivantes:

1. Lire attentivement tous manuels compris avec ce produit. Se familiariser avec ce produit, ses commandes et son utilisation.
2. Suivre tous les codes de sécurité locaux ainsi que les National Electrical Codes (NEC) and Occupational Safety and Health Act (OSHA) des É.-U.



## Généralités sur la Sécurité (suite)

- Seules les personnes bien familiarisées avec ces règles d'utilisation doivent être autorisées à se servir du compresseur.
- Garder les visiteurs à l'écart de/et NE JAMAIS permettre les enfants dans l'endroit de travail.
- Utiliser des lunettes de sécurité et la protection auditive pendant l'utilisation du modèle. 
- Ne pas se tenir debout sur/n'utiliser le modèle comme une prise.
- Inspecter le système d'air comprimé et pièces détachées électriques pour toute indication de dommage, détérioration, faiblesse ou fuites avant chaque utilisation. Réparer ou remplacer toutes pièces défectueuses avant l'utilisation.
- Inspecter le degré de serrage de toutes attaches par intervalles régulières.

### AVERTISSEMENT

**Ne jamais essayer de réparer ou de modifier un réservoir! Le soudage, perçage ou autre modifications peuvent affaiblir le réservoir et peuvent résulter en dommage de rupture ou d'explosion. Toujours remplacer un réservoir usé, fendu ou endommagé.**



### ATTENTION

**Les pièces du compresseur peuvent être chaudes, même si le modèle est hors circuit.**



- Garder les doigts à l'écart du compresseur; les pièces mobiles et chaudes peuvent causer des blessures et/ou des brûlures.
  - Si l'équipement vibre anormalement, ARRÊTER le moteur et l'inspecter immédiatement. La vibration est généralement une indication d'un problème.
  - Pour réduire le risque d'incendie, garder l'extérieur du moteur libre d'huile, de solvant ou de graisse excessive.
- AVERTISSEMENT** **Ne jamais enlever ou essayer d'ajuster la soupape de sûreté. Tenir la soupape de sûreté libre de peinture et d'autres accumulations.**

### DANGER

**Ne jamais essayer de réparer ou de modifier un réservoir! Le soudage, perçage ou autre modifications peuvent affaiblir le réservoir et peuvent résulter en dommage de rupture ou d'explosion. Toujours remplacer un réservoir usé, fendu ou endommagé.**



### AVERTISSEMENT

**Purger le réservoir quotidiennement.**

- L'accumulation d'humidité cause la rouille qui peut affaiblir le réservoir. Assurez vous de drainer le réservoir chaque jour et de contrôler périodiquement pour découvrir de conditions de danger comme la formation d'oxydation et la corrosion.
- L'air mouvante peut agiter la poussière et le débris qui peut être dangereux. Lâcher l'air lentement en purgeant l'humidité ou pendant la dépressurisation du système du compresseur.
- Utilisation d'intérieur seulement.
- Pour réduire le risque de choc électrique, ne pas exposer à la pluie. Ranger à l'intérieur.

### PRÉCAUTIONS DE PULVÉRISATION

### AVERTISSEMENT

**Ne pas pulvériser les matériaux inflammables dans un endroit de flamme ouverte ni près d'une source d'ignition y compris le compresseur.**



- Ne pas fumer pendant la pulvérisation de la peinture, d'insecticides ou autres matières inflammables.
- Utiliser un masque/ respirateur pendant la pulvérisation et pulvériser dans un endroit bien ventilé pour éviter le risque de blessures et d'incendie.
- Ne pas diriger la peinture ou autre matériel pulvérisé vers le compresseur. Situer le compresseur aussi loin que possible de l'endroit de pulvérisation pour réduire l'accumulation de surpulvérisation sur le compresseur.
- Suivre les instructions du fabriquant

pendant la pulvérisation ou le nettoyage avec des solvants ou produits chimiques toxiques.

## Installation

### ENDROIT

Il est très important d'utiliser le compresseur dans un endroit propre et bien ventilé où la température n'excèdera pas 38°C (100°F).

Un espace libre minimum de 45,7 centimètres entre le compresseur et un mur est exigé pour éviter le stoppage d'air par des objets.

**ATTENTION** **Ne pas situer la prise d'air du compresseur près de la vapeur, un jet pulvérisé de peinture, endroits de décapage au sable ou autre sources de contamination. Le débris endommagera le moteur.**

### INSTRUCTIONS DE MISE À LA TERRE

- Ce produit est conçu pour l'utilisation d'un circuit de 120 volts et a une fiche de mise à la terre comme celle indiquée sur la Fig. 1. Assurer que le modèle est branché à une prise de courant qui a la même configuration que la fiche. Ce produit doit être mis à la terre. Dans l'événement d'un court-circuit, la mise à la terre diminue le risque de secousse électrique en fournissant un fil d'échappement pour le courant électrique. Ce produit est équipé avec un cordon qui a un fil de terre avec une fiche de terre. La fiche doit être

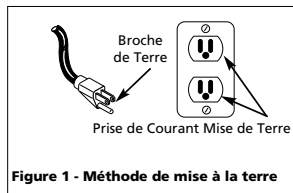


Figure 1 - Méthode de mise à la terre

branchée dans une prise de courant qui a été installée et mise à la terre correctement en respectant tous les codes et règlements locaux.

### DANGER

**L'usage incorrect d'une fiche mise à la terre peut résulter en secousse électrique!**



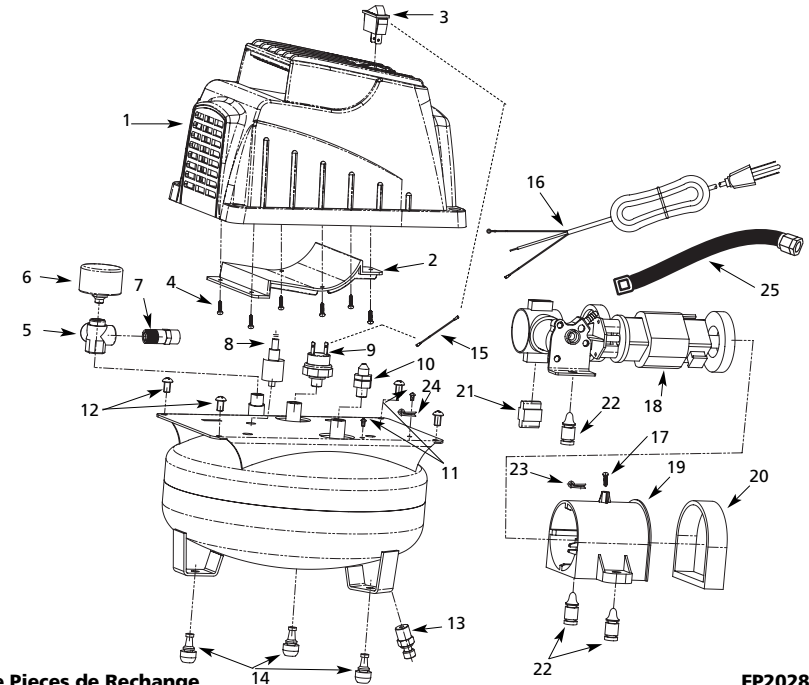
## Pour Pièces de Rechange, appeler 1-800-543-6400

S'il vous plaît fournir l'information suivant:

- Numéro du modèle
- Numéro de série (si applicable)
- Description de la pièce et son numéro sur la liste de pièces

Correspondance concernant les pièces :

Campbell Hausfeld  
Attn: Parts Department  
100 Production Drive  
Harrison, OH 45030 U.S.A.



### Liste de Pieces de Rechange

FP202800

N° de Ref.	Description	Número de pièce	Qté.	N° de Ref.	Description	Número de pièce	Qté.
1	Couvercle de protection	●	1	17	Vis M3x10	*	1
2	Garniture d'épaulement	●	1	18	Montage de pompe/moteur	FP202824AV	1
3	Interrupteur Marche/Arrêt	●	1	19	Couvercle de moteur	▲	1
4	Vis M3 x .15	●	6	20	Couvercle d'extrémité	▲	1
5	Collecteur	FP202832AV	1	21	Support de caoutchouc	□	1
6	Manomètre	FP204012AV	1	22	Pieds en caoutchouc (moteur)	□	3
7	Soupape de sûreté	V-215102AV	1	23	Attache de fils	FP202823AV	1
8	Cousin de caoutchouc, vis, écrou, rondelle	FP202831AV	1	24	Décharge de tension	FP202822AV	1
9	Manostat	FP204836AV	1	25	Kit de tuyau de ventilation	FP202839AV	1
10	Soupape de retenue	FP204827AV	1	●	Trousse d'épaulement	FP202834AV	
11	Vis M4x0.7x6	*	2	▲	Trousse de couvercle du moteur	FP202835AV	
12	Vis M6x1.0x10	*	4	□	Trousse de pieds de caoutchouc	FP202836AV	
13	Robinet de purge	D-1403	1		Trousse pour décalcomanie	FP202837AV	
14	Pieds en caoutchouc (Réservoir)	FP202828AV	3				
15	Fil (pressostat avec interrupteur)	FP202827AV	1				
16	Cordon d'alimentation	FP202826AV	1	*	Article normal de quincaillerie		

## Compresseur Sans Huile

### Guide de Dépannage (Suite)

Symptôme	Cause(s) Possible(s)	Mesures Correctives
Trop d'humidité dans l'air déchargé	1. Trop d'eau dans le réservoir 2. Humidité élevée	1. Drainer le réservoir, le pencher pour en retirer toute l'humidité. 2. Déplacer vers un endroit moins humide; utiliser le filtre de conduite d'air Remarque : la condensation d'eau ne provient pas d'une défaillance du compresseur
Le compresseur fonctionne continuellement et la soupape de sûreté s'ouvre tandis que la pression monte	1. Pressostat défectueux 2. Soupape de sûreté défectueuse	1. Remplacer le pressostat 2. Remplacer la soupape de sûreté avec une pièce de rechange authentique
Démarrage et arrêt excessifs	1. Trop de condensation dans le réservoir 2. Connexions desserrées (raccords, tubes, etc.)	1. Drainer plus souvent 2. Vérifier toutes les connexions avec une solution d'eau et de savon. S'il y a une fuite, resserrer. Ou retirer le raccord et appliquer un ruban à tuyau sur les filets puis remonter.

## FP202800, FP202900, FP202897, FP202999DB, and FP202999DQ

**⚠ DANGER** *Ne pas utiliser un adaptateur de mise à la terre avec ce produit!*

- Si la réparation ou le remplacement du cordon ou de la fiche est nécessaire, ne pas connecter le fil de terre à ni une ni l'autre borne plate. Le fil avec l'isolation qui a une surface externe verte (avec ou sans rayures) est le fil de terre.

**⚠ AVERTISSEMENT** *Ne jamais brancher le fil vert (ou vert et jaune) à une borne électrisée.*

- Si vous ne comprenez pas les instructions pour la mise à la terre ou si vous n'êtes pas certains si le produit est mis à la terre correctement, vérifiez avec un électricien ou une personne qualifiée. Ne pas modifier la fiche fournie; si la fiche n'est pas la bonne taille pour la prise de courant, contacter un électricien qualifié pour l'installation d'une nouvelle prise de courant.

**⚠ ATTENTION** *L'installation de fils insuffisante peut résulter en surchauffage, court-circuit et en dommage d'incendie.*

### Fonctionnement

**Soupape de Sûreté ASME** - Cette soupape laisse échapper l'air si la pression du réservoir dépasse la pression maximum réglée d'avance.

**Poignée** - Conçue pour le déplacement du compresseur.

**Robinet de Purge** - Cette soupape est située sur la base du réservoir. Utiliser cette soupape pour purger l'humidité du réservoir quotidiennement afin de réduire le risque de corrosion.

Baisser la pression du réservoir sous 69 kPa, et ensuite purger l'humidité du réservoir afin d'éviter la corrosion. Purger l'humidité du/des réservoir(s) en ouvrant le robinet de purge situé sur la base du réservoir.

### LUBRIFICATION

Ce produit est "sans-huile" et n'exige pas d'huile pour fonctionner.

### AVANT LE PREMIER DÉMARRAGE

#### PROCÉDURE DE RÔDAGE

(Cette procédure doit être terminée avant d'utiliser le compresseur pour la première fois. Ensuite, il n'est pas nécessaire de la refaire.)

- Ne pas fixer de boyau ou tout autre raccord au compresseur.
- Mettre l'interrupteur marche/arrêt à la position « OFF » (ARRÊT).
- Brancher le cordon d'alimentation.
- Mettre l'interrupteur marche/arrêt à la position « ON » (MARCHÉ). Laissez le compresseur tourner pendant 5 minutes.
- Mettre l'interrupteur marche/arrêt à la position « OFF » (ARRÊT).
- Débrancher le cordon d'alimentation.

### AVANT CHAQUE DÉMARRAGE

#### PROCÉDURE DE FONCTIONNEMENT

- Connecter le tuyau d'air à l'ouverture qui se trouve sous le manomètre.
- Fixer le raccord ou l'outil nécessaire à l'ouverture du tuyau d'air.
- Mettre l'interrupteur marche/arrêt

à la position « OFF » (ARRÊT).

- Brancher le cordon d'alimentation.
- Si l'on utilise des aiguilles/embouts de gonflement : fixez le tuyau d'air avec le raccord de gonflement à l'objet à gonfler. Tenir le raccord de gonflement bien en place et mettre l'interrupteur marche/arrêt à la position « ON » (MARCHÉ). Laisser le compresseur gonfler l'objet. Éteindre le compresseur et retirer le raccord de gonflement.
- Si l'on utilise un mandrin de pneu ou un outil : lorsque l'outil ou le mandrin est fixé au tuyau d'air, mettre l'interrupteur marche/arrêt à la position « ON » (MARCHÉ) et faire fonctionner le compresseur jusqu'à ce qu'il s'éteigne automatiquement. En utilisant le mandrin de pneu pour gonfler les pneus, suivre le relevé de la jauge sur le compresseur et aussi périodiquement la pression réelle du pneu avec une jauge de pneu distincte pour éviter de trop gonfler.

**Cycle marche/arrêt du compresseur**  
En position "ON" (marche), le compresseur pompe de l'air dans le réservoir. Lorsqu'il atteint une pression d'arrêt

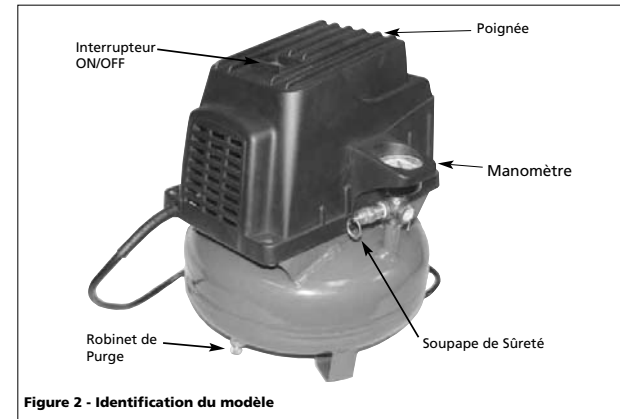


Figure 2 - Identification du modèle

### Cordons Prolongateurs Pour Modèle De 120V/2.5 Ampères

Longueur du Cordon (m)	7,62	15,24	30,48	45,72	60,96	76,2	91,44	121,92	152,4
Calibre du Cordon	18	18	16	14	14	12	12	10	10

## Fonctionnement (Suite)

(une "coupure" pré-établie), le compresseur s'arrête automatiquement. Si le compresseur reste en position ON (marche) et si l'air sort complètement du réservoir en utilisant un mandrin de pneu, un outil, etc., alors le compresseur redémarrera automatiquement à sa pression pré-établie de "coupure". Lorsqu'un outil est utilisé continuellement, le compresseur passera automatiquement à des cycles marche et arrêt.

En position OFF (arrêt), le pressostat ne peut pas fonctionner et le compresseur ne fonctionnera pas. S'assurer que l'interrupteur est à la position OFF (arrêt) en connectant ou déconnectant le cordon d'alimentation de la prise de courant.


### SOUPAPE DE SÛRETÉ ASME

**AVERTISSEMENT** *Ne jamais enlever ou essayer d'ajuster la soupape de sûreté!*

Vérifier la soupape de sûreté de la manière suivante :

1. Brancher le compresseur et le faire fonctionner jusqu'à ce qu'il atteigne la pression d'arrêt (voir procédure de fonctionnement).
2. Porter des lunettes de sécurité, tirer l'anneau sur la soupape de sûreté pour dégager la pression du réservoir du compresseur. Utiliser l'autre main pour éloigner l'air se déplaçant rapidement du visage.
3. La soupape de sûreté se fermera automatiquement à environ 40 à 50 lb/po. Si la soupape ne laisse pas sortir l'air en tirant sur l'anneau, ou si elle ne se ferme pas automatiquement, il FAUT la remplacer.

## Entretien

**AVERTISSEMENT**  *Débrancher de la source de puissance et ensuite dissiper toute la pression du système avant d'essayer d'installer, de réparer, de déplacer ou de procéder à l'entretien.*

Inspecter le compresseur souvent et suivre les procédés d'entretien suivants pendant chaque utilisation du compresseur.

### L'HUMIDITÉ DANS L'AIR COMPRIMÉ

L'humidité dans l'air comprimé forme des gouttelettes en arrivant de la pompe du compresseur. Si l'humidité est élevée ou si le compresseur est utilisé continuellement, cette humidité s'accumulera dans le réservoir. En utilisant un pistolet à peinture ou un pistolet pour décapage au sable, cette eau sera transportée hors du réservoir par moyen du tuyau en forme de gouttelettes mélangées avec le matériel utilisé.

**IMPORTANT:** Cette condensation peut avoir comme résultat des taches d'eau sur votre travail de peinture, surtout en pulvérisant la peinture qui n'est pas de base d'eau. Pendant la décapage au sable, (MP3105) cette eau servira à tenir le sable ensemble et à causer une obstruction dans le pistolet.

**AVERTISSEMENT** *S'il y a une fuite après que la soupape soit lâchée ou si la soupape ne fonctionne pas, elle devrait être remplacée.*

1. Éteindre le compresseur et dégager la pression du système. (Pour dégager la pression du système, tirer sur la soupape de sûreté ASME. Éloigner l'air qui s'échappe en protégeant la soupape d'une main tout en tirant de l'autre.) Tirer l'anneau jusqu'à ce que le réservoir soit vide.

**ATTENTION** *Une grande quantité d'air se déplaçant rapidement sera dégagée en ouvrant la soupape de sûreté par pression du réservoir. Porter des lunettes de sécurité ANSI approuvées Z87.1.*

2. Drainer l'humidité du réservoir en ouvrant le robinet de vidange sous le réservoir. Pencher le réservoir pour en retirer toute l'humidité.
3. Nettoyer la poussière et la saleté du réservoir, des conduites d'air et le couvercle de pompe tandis que le compresseur est encore arrêté (OFF).

### GRAISSAGE

Ce modèle "sans huile" n'exige pas de graissage.

### PROTECTEUR DE SURCHARGE THERMIQUE

**ATTENTION** *Ce compresseur est équipé avec un protecteur de surcharge thermique à rajustement automatique qui sert à couper le moteur s'il devient surchauffé.*

Si le protecteur de surcharge thermique coupe fréquemment le moteur, s'assurer que le compresseur est utilisé dans un endroit propre, bien ventilé où la température ne dépasse pas 100 ° F.

### ATTENTION

*Le moteur doit se refroidir avant que le démarrage soit possible. Le moteur se démarre automatiquement sans avis si branché dans une prise de courant et si le modèle est en marche "ON".*

### RANGEMENT

1. Vidanger le réservoir d'humidité.
2. Lorsque l'appareil n'est pas utilisé, le ranger dans un endroit frais et sec.
3. Débrancher le tuyau et laisser tomber les extrémités ouvertes pour permettre le drainage de l'humidité.

**AVERTISSEMENT** *Purger l'humidité du réservoir quotidiennement, sinon, le réservoir peut devenir faible à cause de la rouille et de l'éclatement.*

## Guide de Dépannage

Symptôme	Cause(s) Possible(s)	Mesures Correctives
Le compresseur ne fonctionnera pas.	<ol style="list-style-type: none"> <li>1. Interrupteur en position "OFF" (arrêt).</li> <li>2. Aucun courant à la prise de courant murale</li> <li>3. Le compresseur a atteint la pression d'arrêt automatique</li> <li>4. Moteur surchauffé</li> </ol>	<ol style="list-style-type: none"> <li>1. S'assurer que le compresseur est branché et que l'interrupteur est à ON (marche)</li> <li>2. Vérifier le disjoncteur ou les fusibles au coffret électrique</li> <li>3. Dégager l'air du réservoir jusqu'à ce que le compresseur redémarre automatiquement</li> <li>4. Laisser le compresseur refroidir pendant 30 minutes pour que l'interrupteur de surcharge thermique se réinitialise. S'assurer que le compresseur fonctionne dans un endroit propre, bien ventilé où la température ne dépasse pas 100 ° F.</li> <li>5. Remplacer le pressostat</li> </ol>
Le protecteur de surcharges thermiques se ferme souvent	<ol style="list-style-type: none"> <li>1. Mauvaise ventilation/température ambiante trop élevée</li> <li>2. Défaillance des soupapes du compresseur</li> </ol>	<ol style="list-style-type: none"> <li>1. Déplacer le compresseur dans un endroit propre, bien ventilé où la température ne dépasse pas 100 ° F.</li> <li>2. Remplacer le montage de la pompe</li> </ol>
Coups, cliquetis, vibrations excessives	<ol style="list-style-type: none"> <li>1. Réservoir n'est pas à niveau</li> <li>2. Roulement défectueux sur l'arbre du moteur ou l'arbre excentrique</li> <li>3. Cylindre ou bague de piston défectueux ou marqué</li> </ol>	<ol style="list-style-type: none"> <li>1. Caler le réservoir à niveau</li> <li>2. Remplacer le montage de la pompe</li> <li>3. Remplacer le montage de la pompe</li> </ol>
Pression du réservoir tombe lorsque le compresseur s'arrête	<ol style="list-style-type: none"> <li>1. Robinet de vidange desserré</li> <li>2. Vérifier toute fuite du robinet</li> <li>3. Connexions desserrées (raccords, tubes, etc.)</li> </ol>	<ol style="list-style-type: none"> <li>1. Resserrer le robinet de vidange</li> <li>2. Remplacer le clapet</li> <li>3. Vérifier toutes les connexions avec une solution d'eau et de savon. S'il y a une fuite, resserrer. Ou retirer le raccord et appliquer un ruban à tuyau sur les filets puis remonter.</li> </ol> <p><b>CAUTION</b> <i>Ne pas démonter le clapet. Avec de l'air dans le réservoir, purger le réservoir d'abord.</i></p>
Le compresseur fonctionne continuellement et la sortie d'air est plus basse que la pression de décharge basse/normale	<ol style="list-style-type: none"> <li>1. Trop d'air utilisé, compresseur trop petit</li> <li>2. Connexions desserrées (raccords, tubes, etc.)</li> <li>3. Soupapes d'aspiration brisées</li> <li>4. Bague de piston défectueuse</li> </ol>	<ol style="list-style-type: none"> <li>1. Réduire l'utilisation ou acheter un appareil plus puissant (SCFM)</li> <li>2. Vérifier toutes les connexions avec une solution d'eau et de savon. S'il y a une fuite, resserrer. Ou retirer le raccord et appliquer un ruban à tuyau sur les filets puis remonter.</li> <li>3. Remplacer le montage de la pompe</li> <li>4. Remplacer le montage du piston</li> </ol>